

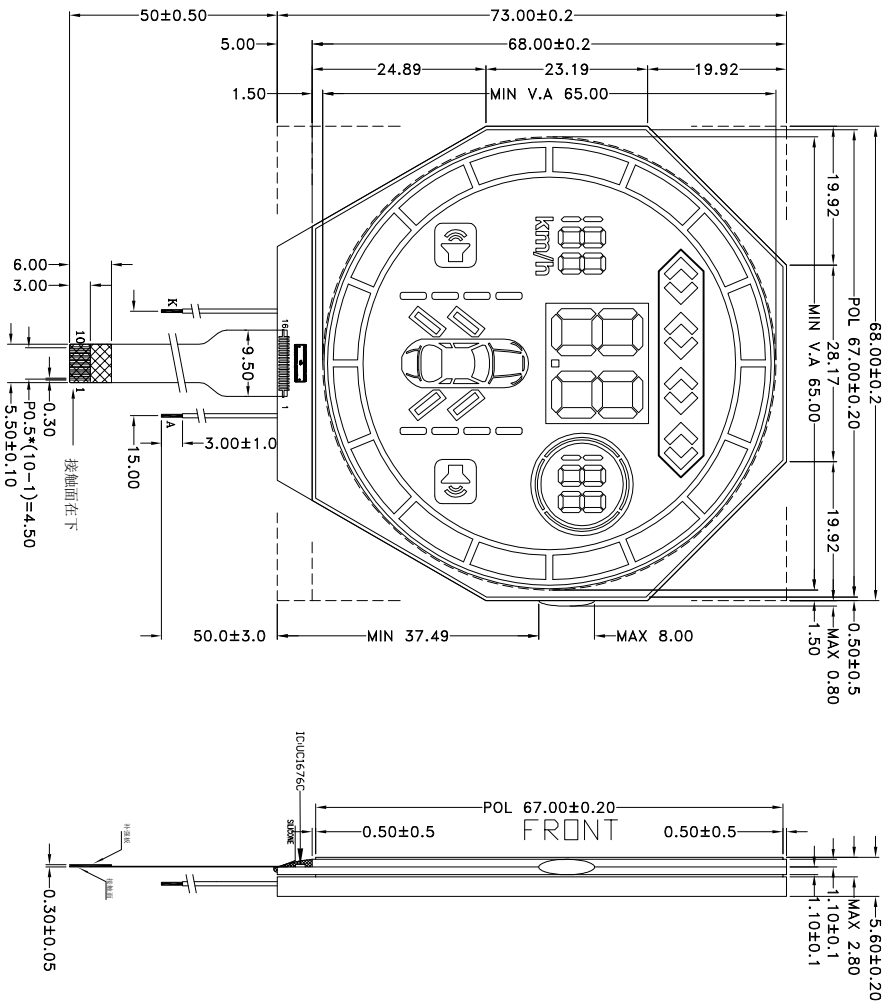
All Pages Of This Edition Approved

Signature: _____

Date: _____

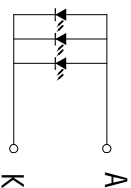
由 Autodesk 教育版产品制作

VIEWING DIRECTION
↓



PIN ASSIGNMENT


NO.	NAME.
1	ESD
2	NC
3	SDA
4	SCL
5	VDD
6	SA0
7	VSS
8	VLCD
9	NC
10	ESD



Backlight: 3PCS WHITE LEDS


Specifications:

1. Display Mode: VA/Transmissive/Negative.
2. Viewing Angle: 12 0'clock.
3. Drive Method: 1/2 Duty, 1/2 Bias, V_{dd}=5.0V, 64Hz.
4. Top: -30°C~+80°C, T_{st}: -40°C~+85°C.
5. Connector: COG+FP.C.
6. Drive IC: UC1676C
7. Backlight: 3Pcs White LED, Recommend I_f≤45mA
8. With " * " Mark Dimensions Are Important Dimensions.



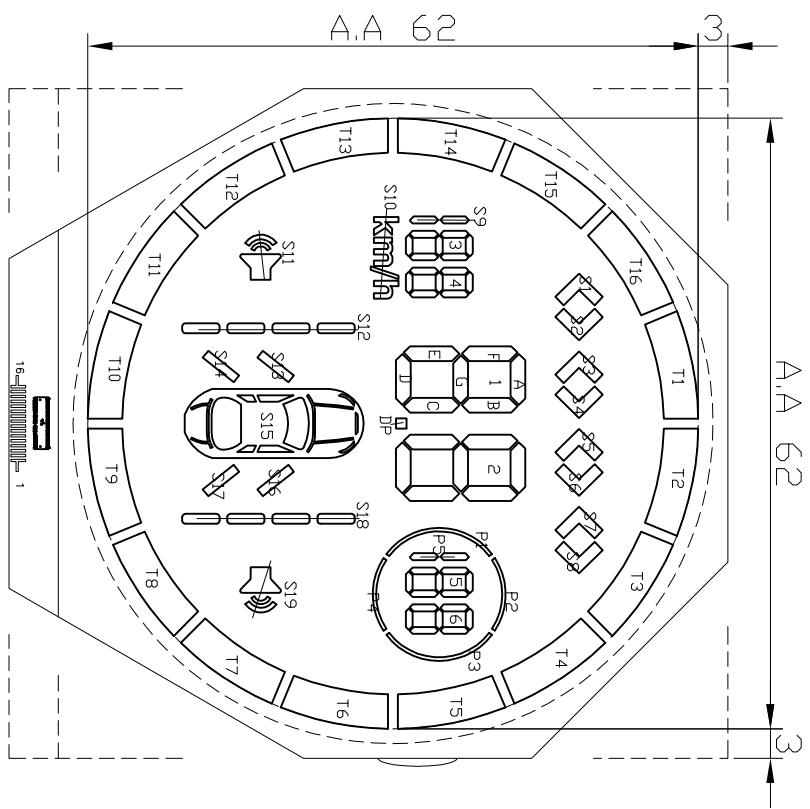
SHENZHEN ENRICH ELECTRONICS CO., LTD.


TEL: +86-755-27864416, FAX: +86-755-27864653

UNSPECIFIED TOLERANCE:	±0.20	UNITS: mm	DATE:	MODEL NUMBER:	
DESIGN BY:	STEVEN	2019.09.04	ENH-SS916071-01-VVNTKF		
CHECKED BY:				PROJECTION	SHEET: 1 OF 4
APPROVED BY:				DO NOT SCALE THIS DRAWING.	DATE: 2019.09.04

PIN	B00	B01
S12	T1	--
S13	T16	4C
S14	T15	4B
S15	T14	4A
S16	4F	4G
S17	3A	4E
S18	3F	3B
S19	S9	3G
S20	3E	3C
S21	T13	3D
S22	T12	4D
S23	S10	1A
S24	1E	1F
S25	1D	1G
S26	1C	1B
S27	DP	2A
S28	2E	2F
S29	2D	2G
S30	2C	2B
S31	T11	P1
S32	S11	5G
S33	S12	5E

PIN	B00	B01
S34	S13	5D
S35	S14	5C
S36	S15	P4
S37	T10	6G
S38	S17	6E
S39	S16	6D
S40	S18	6C
S41	T9	P3
S42	S19	6B
S43	T8	6A
S44	T7	6F
S45	T6	T5
S46	T4	P2
S47	S8	5B
S48	S7	5A
S49	T3	5F
S50	T2	P5
S51	S6	S5
S52	S3	S4
S53	S2	S1

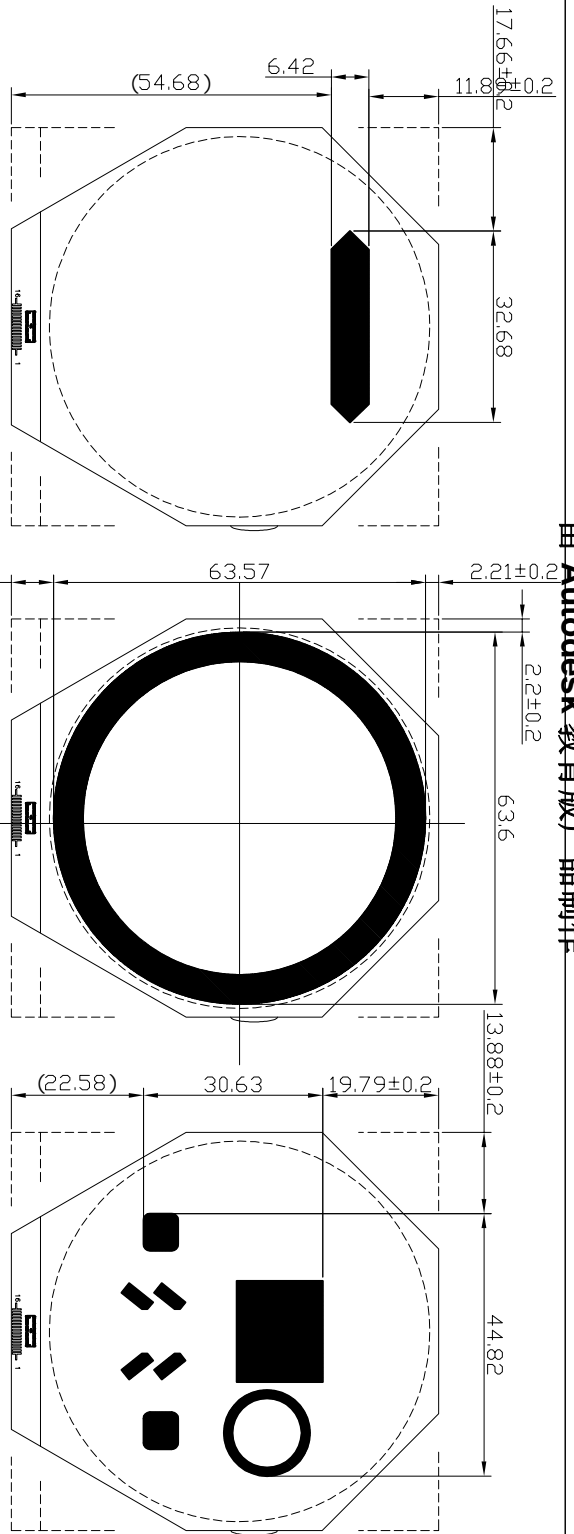




SHENZHEN ENRICH ELECTRONICS CO., LTD.

TEL: +86-755-27864416, FAX: +86-755-27864653

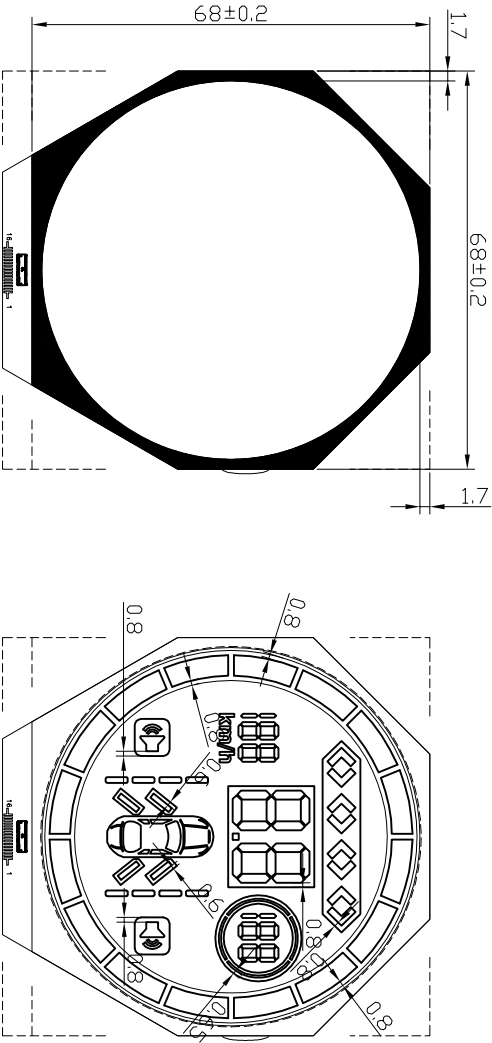
Unspecified Tolerance:	±0.20	UNITS: mm	DATE:	MODEL NUMBER:	SHEET:
DESIGN BY:	STEVEN	2019.09.04	ENH-SS916071-01-VVNTKF	PROJECTION	DATE:
CHECKED BY:					2 OF 4
APPROVED BY:				DO NOT SCALE THIS DRAWING.	2019.09.04



绿色丝印在底偏光片上

黄色丝印在底偏光片上

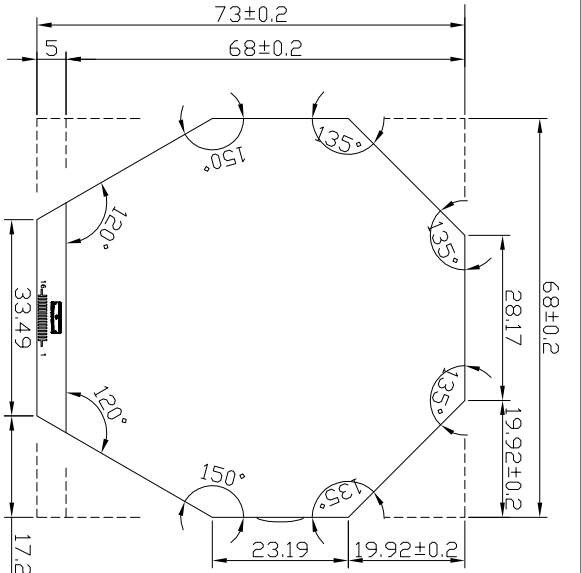
红色丝印在底偏光片上



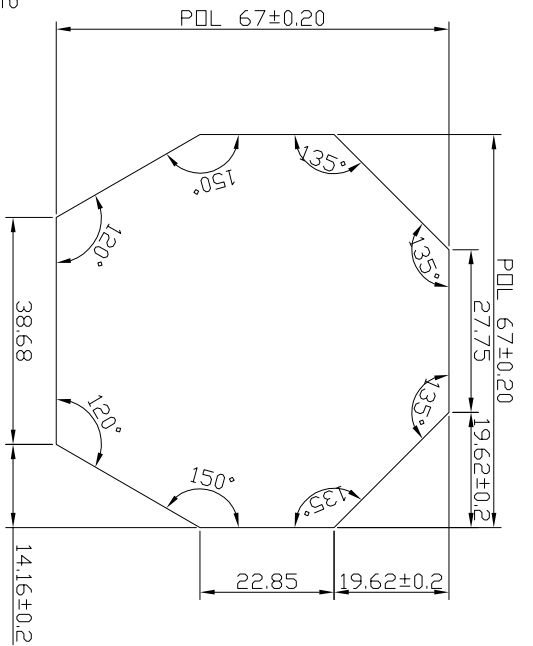
黑色丝印在底玻璃上

丝印与图案的距离

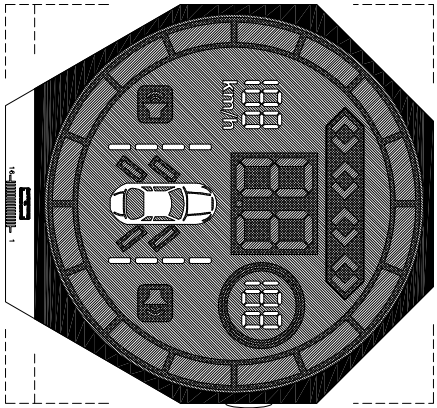
SHENZHEN ENRICH ELECTRONICS CO., LTD.		SHENZHEN ENRICH ELECTRONICS CO., LTD.	
TEL: +86-755-27864416, FAX: +86-755-27864653		TEL: +86-755-27864416, FAX: +86-755-27864653	
UNSPECIFIED TOLERANCES:	±0.20	UNITS:	mm
DESIGN BY:	STEVEN	DATE:	2019/09/04
CHECKED BY:		MODEL NUMBER:	ENH-SS916071-01-VVNTKF
APPROVED BY:		DO NOT SCALE THIS DRAWING.	
PROJECTION		PROJECTION	
DATE:	2019/09/04	SHEET:	3 OF 4



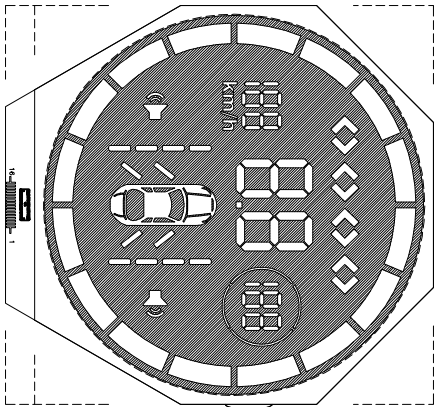
玻璃尺寸



偏光片尺寸



LCD成品效果图



LCD全显效果图



SHENZHEN ENRICH ELECTRONICS CO., LTD.
 TEL: +86-755-27864416, FAX: +86-755-27864653

Unspecified Tolerance:	±0.20	UNITS: mm	DATE:	MODEL NUMBER:	PROJECTION:	SHEET:	DATE:
DESIGN BY:	STEVEN	2019.09.04	ENH-SS916071-01-VVNTKF	DO NOT SCALE THIS DRAWING.	4 OF 4	2019.09.04	
CHECKED BY:							
APPROVED BY:							