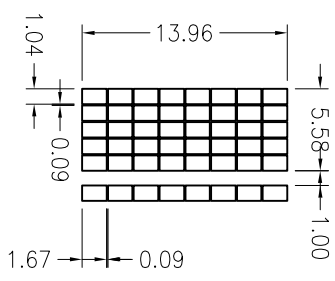
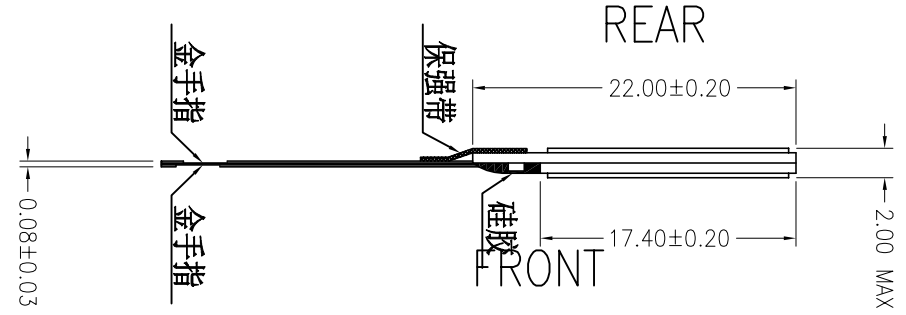
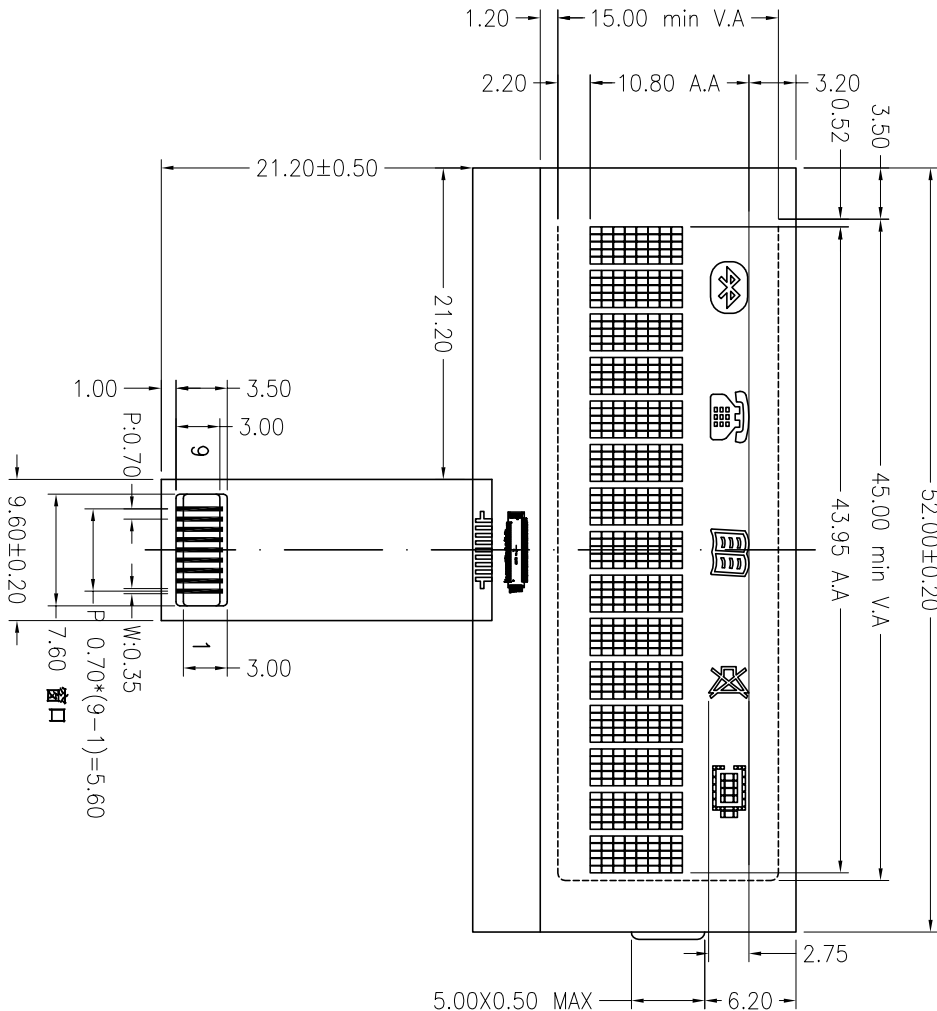


REV	DESCRIPTION	DATE
A	FOR PRODUCTION	2011.12.09



NO.	SYMBOL
1	RES
2	CSB
3	SCL
4	SDA
5	VSS
6	VDD
7	VOUT
8	CAP1P
9	CAP1N

由 Autodesk 教育版产品制作

DISPLAY TYPE: FSTN/POSITIVE
 POLARIZER: TRANSMISSIVE
 VIEWING DIRECTION: 6:00-CLOCK
 DRIVE METHOD: 1/9DUTY,1/6BIAS
 LCM OPERATING VOLTAGE: 3.3V
 LCD OPERATING VOLTAGE: 5.0V
 OPERATING TEMP: -10 TO 60 Deg.C
 STORAGE TEMP: -20 TO 70 Deg.C
 CONNECTOR: COG
 UNSIGNED TOLERANCE: ±0.20

深圳市睿显熙电子有限公司

TITLE: ASSEMBLY		DO NOT SCALE THIS DRAWING, GENERAL TOLERANCE:±0.2	
PART NO.:	ENH-DG075A9P-01-YFPTGF	MODULE NO.:	
DRAWN BY:	Peter WAN	DATE:	12/09-2011
CHECKED BY:		DATE:	
APPROVED BY:		DATE:	
PROJECTION:		SCALE:N.T.S	UNIT: mm
SHEET: 1 OF 1			