

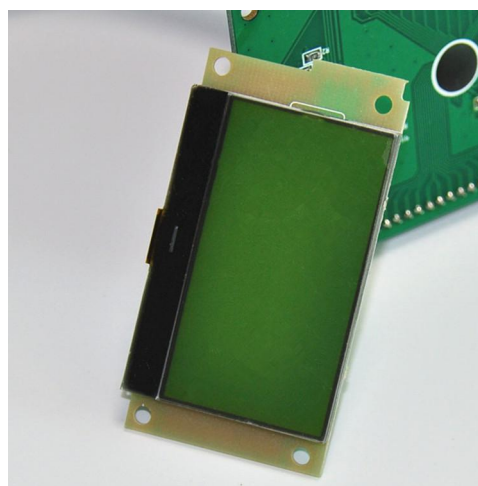
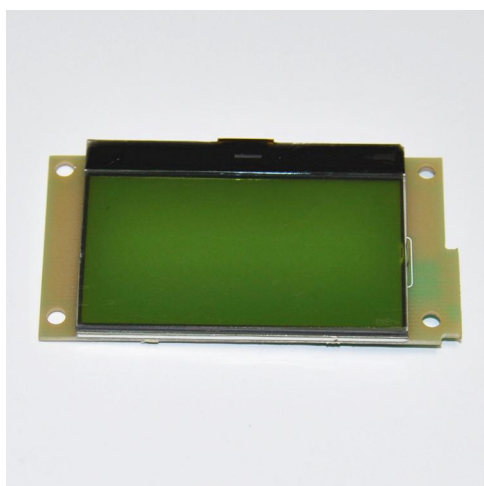
Description:

ENH-DG128064-37 is the green led backlight dot matrix lcd, resolution is 128x64, we have do well the inner drive, IC mounted on the glass. Shenzhen Enrich Electronics Co., Ltd is an exported-oriented high-tech enterprise .

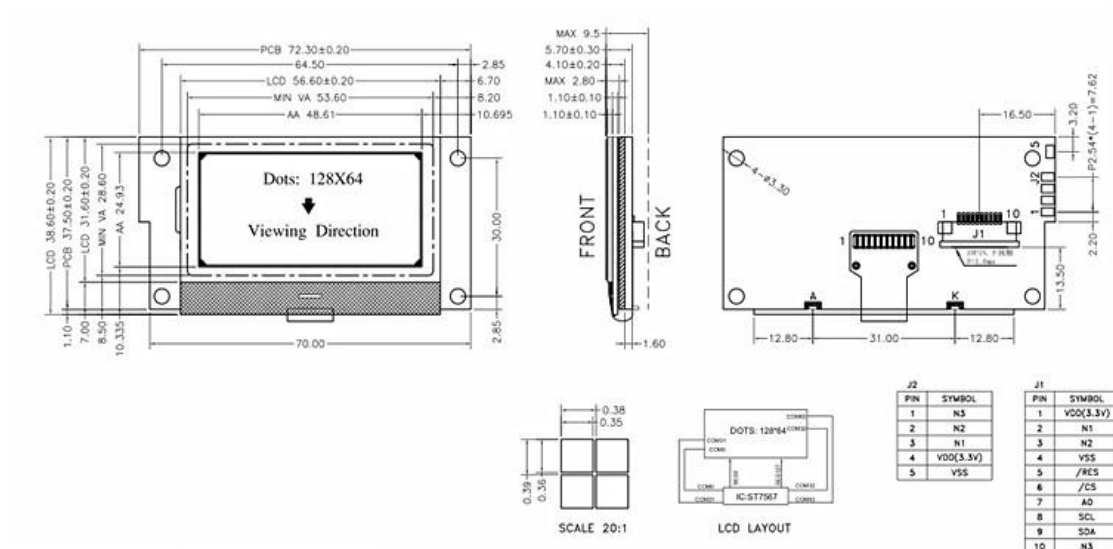
Specification:

1.Product name :	ENH-DG128064-37
2.Size:	72.30x38.60mm
3.Viewing area :	53.60x28.60mm
4.Active area :	48.61x24.93mm
5.Resolution:	128X64
6.Display type :	STN/Transmissive/Positive
7.Viewing angle:	12 O'clock
8.Drive method :	1/64 duty, 1/7 bias
9.Working temp :	-10°C~+60°C
10.Storage temp :	-20°C~+70°C
11.Connector:	COG+FPC
12.Drive IC :	ST7567
13.Backlight :	3 pcs green led backlight
14.Interface:	SPI/Serial/Parallel
15.Voltage:	Vop=8.2V, Vdd=3.3V

Detail images:



Display drawing:



**Specifications:**

1. Display Mode: STN(Yellow-Green), Transmissive/Positive.
2. Viewing Angle: 12 0'clock.
3. Drive Method: 1/64 Duty 1/7 Bias, Vop= 8.2V, Vdd=3.3V.
4. Top: -10°C~+60°C, Tst: -20°C~+70°C.
5. Connector: COG+FPC.
6. Drive IC: ST7567
7. BackLight: 3 PCS Green LED Backlight, If=45mA & Vf=3.0±0.1V  
WaveLength: 515-525nm, Luminance: Min 100 cd/m2, Uniformity: 70%
8. RoHS Compliant: Yes.
9. With " \* " Mark Dimensions Are Important Dimensions.

Customer's Application:



LCD for Wireless Phone

FAQ:

1. Q: I don't want the PCB board,can I buy the glass only?

A: Yes,no problem.We could provide the glass with drive IC for you.

2. Q: How much the transportation freight of samples?

A: The freight depends on total weight and volume and your address.

3.. Q: How long can I expect to get the sample?

A: The samples will be ready for delivery in 5~7days. The samples will be sent via express and arrive in 5~7 days.

Contact us:



Shenzhen Enrich Electronics Co.,Ltd



Cassie Huang

[Tel:+86-755-27864416](tel:+86-755-27864416)

Fax:+86-755-27864653

Mobile: +86 159 8936 6182

Email: [cassie@rxxdisplay.com](mailto:cassie@rxxdisplay.com)

Wechat: 18296551775

Whatsapp: + 86 182 9655 1775

Skype:live:cassie\_1191